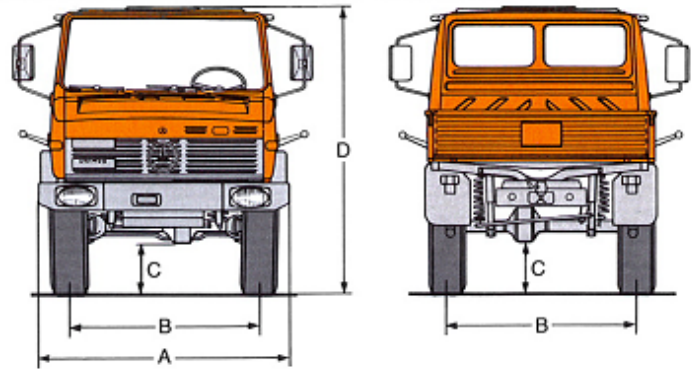


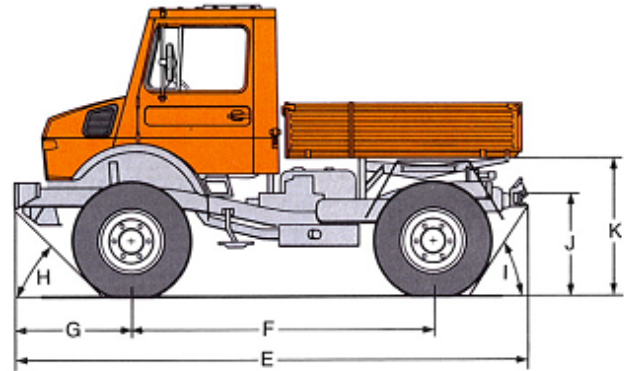
| | A | B | C | D |
|------------------------------------------------------------------------|------|------|-----|------|
| U 1400/U 1450 ¹⁾ | 2160 | 1660 | 440 | 2620 |
| U 1600/U 1650 ²⁾ | 2170 | 1650 | 495 | 2655 |
| U 1600 (214) ²⁾ U 1650 (214) ²⁾ | 2170 | 1650 | 495 | 2755 |

¹⁾ with 12.5-20 tyres, unladen
²⁾ with 12 R 22.5 tyres, unladen



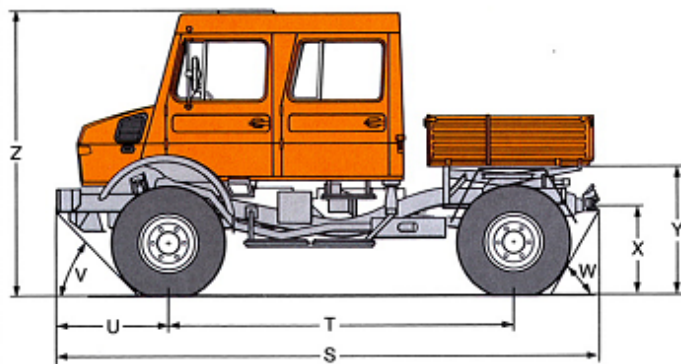
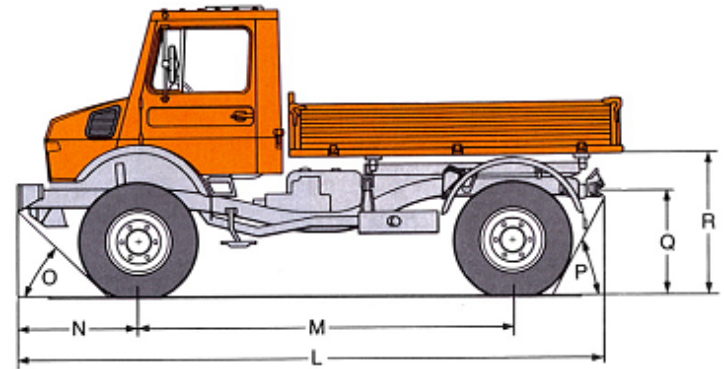
| | E | F | G | H | I | J | K | Platform version |
|------------------------------------------------------------------|------|------|------|-----|-----|------|------|------------------|
| U 1400 ¹⁾ | 4470 | 2650 | 1050 | 46° | 57° | 970 | 1320 | I/II |
| U 1600 ²⁾ U 1600 (214) ²⁾ | 4470 | 2650 | 1050 | 46° | 57° | 1010 | 1360 | I/II |

¹⁾ with 12.5-20 tyres, unladen
²⁾ with 12 R 22.5 tyres, unladen



| | L | M | N | O | P | Q | R | Platform version |
|------------------------------------------------------------------|------|------|------|-----|-----|------|------|---------------------------------------------|
| U 1450 ¹⁾ | 5100 | 3250 | 1050 | 46° | 57° | 970 | 1320 | I/II III/IV |
| U 1650 ²⁾ U 1650 (214) ²⁾ | 5100 | 3250 | 1050 | 46° | 57° | 1010 | 1360 | I ²⁾ /II ²⁾ III/IV |

¹⁾ with 12.5-20 tyres, unladen
²⁾ with 12 R 22.5 tyres, unladen
²⁾ supplied separately



| Twin cab | S | T | U | V | W | X | Y | Z | Platform version |
|------------------------------------------------------------------|------|------|------|-----|-----|------|------|--------------|------------------|
| U 1450 ¹⁾ | 5100 | 3250 | 1050 | 46° | 57° | 970 | 1320 | 2720 | I |
| U 1650 ¹⁾ U 1650 (214) ²⁾ | 5100 | 3250 | 1050 | 46° | 57° | 1010 | 1360 | 2755 2855 | I ²⁾ |

¹⁾ with 12.5-20 tyres, unladen
²⁾ with 12 R 22.5 tyres, unladen
²⁾ supplied separately



Length x width x height
 1475 x 1890 x 400

I



Length x width x height
 1950 x 1890 x 400

II



Length x width x height
 2320 x 1950 x 400

III



Length x width x height
 2800 x 1950 x 400

IV