

GMK3060L

Product Guide

ASME B30.5
Imperial 85%



Features

- 60 t (65 USt) capacity
- 9,6 m - 48 m (31.5 ft - 157.5 ft) seven-section boom
- Patented TWIN-LOCK™ boom pinning system
- 8,7 m - 15 m (28.5 ft - 49.2 ft) bi-fold swingaway, hydraulic or manual offset
- 13,5 t (29,760 lb) counterweight with hydraulic removal system
- Cummins QSL9-C350 Tier 4 Final six-cylinder turbo-charged diesel engine. ZF-AS TRONIC transmission
- MEGATRAK™ independent hydro-pneumatic suspension
- New Manitowoc Crane Control System (CCS)
- New carrier cab
- MAXbase variable outrigger positioning system

GROVE GMK3060L

Features

The GMK3060L all-terrain crane combines a powerful, seven-section MEGAFORM™ boom with a compact three-axle carrier, making it ideal for a variety of work in tight locations.

> Compact and strong

The GMK3060L not only has the best taxi load charts in its class, but is also the most compact with the shortest overall length and lowest height with the smallest tailswing.

> TWINLOCK™

Boom pinning mechanism automatically pins the sections in position using two horizontal pins. The use of a single telescoping cylinder reduces weight and increases lifting capacities.

> Crane Control System (CCS)

The new crane control system (CCS) offers a user-friendly interface, two full graphic displays mounted vertically for better visibility, a jog dial for easier data input and ergonomic joysticks.

> MAXbase Variable Outrigger Positioning System

MAXbase calculations improve load charts with symmetrical outrigger positioning. The four sector formula allows an increased working range beyond the 360 degree load charts.

> Engine

Cummins QSL9, 6 cylinder in-line, water cooled, turbo charged engine. High pressure fuel injection system, electronic engine management, and meets all Tier 4 Final/ Euromot 5 requirements.



Jobsite benefits

- > Higher and stronger. With a maximum boom and extension length of 63 m (206.7 ft) the crane can still lift 2.4 t (2.7 USt).
- > Increased flexibility with multiple counterweight configurations that provide optimal Taxi arrangements.
- > Three outrigger positions provide ultimate flexibility for job sites with the ability to position the crane in tighter spaces.
- > MEGATRAK™ independent suspension, all-wheel steering system and steer by wire technology provides increased ground clearance, adjustable suspension and reduces tire-wear to provide maximum maneuverability in all-terrains.
- > Compact length and a minimum width of 2.55 m (8.4 ft) allow access to even the most narrow of jobsites, while optimizing crane set up and lifting position.
- > The new Boom Configurator mode thru the Crane Control System (CCS) simplifies the telescoping process and makes job site set up quick and easy.

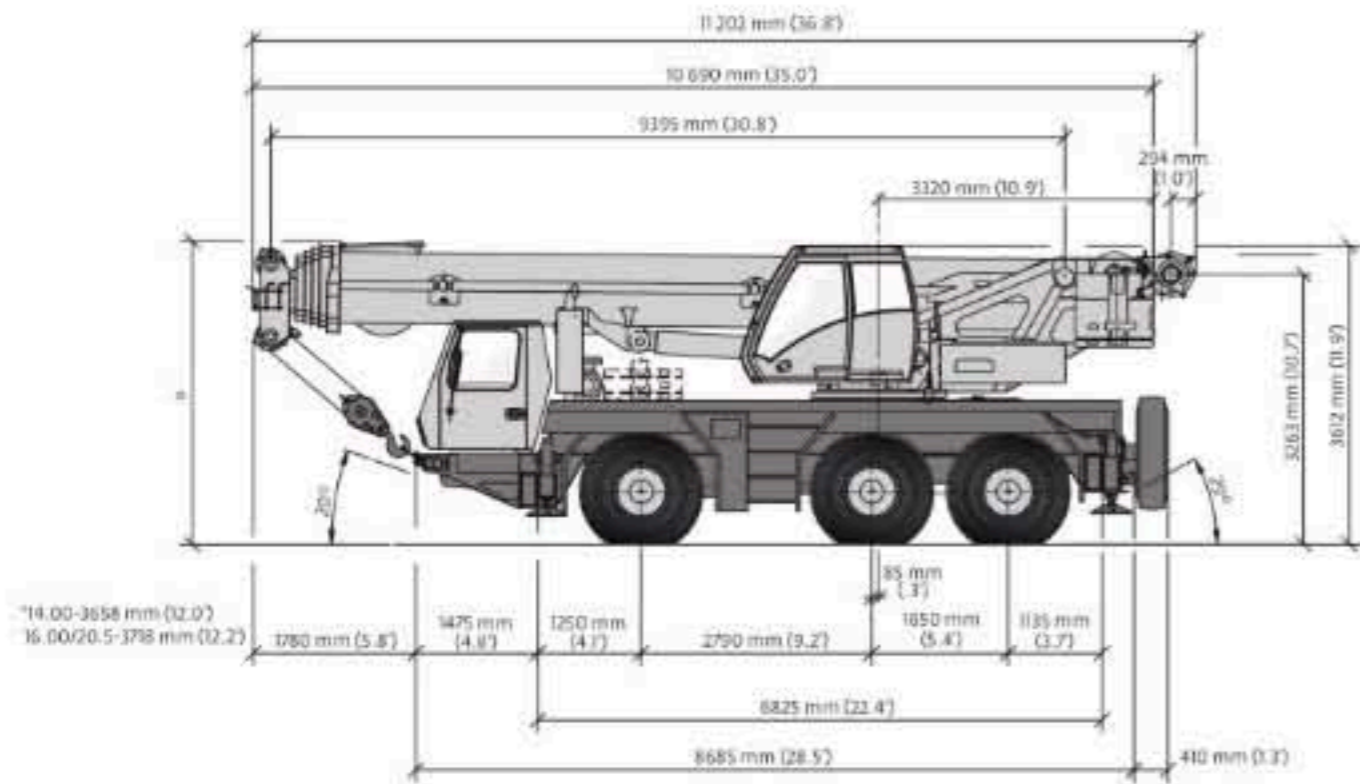


The assurance of the world's most advanced crane service and support to get you back to work fast.

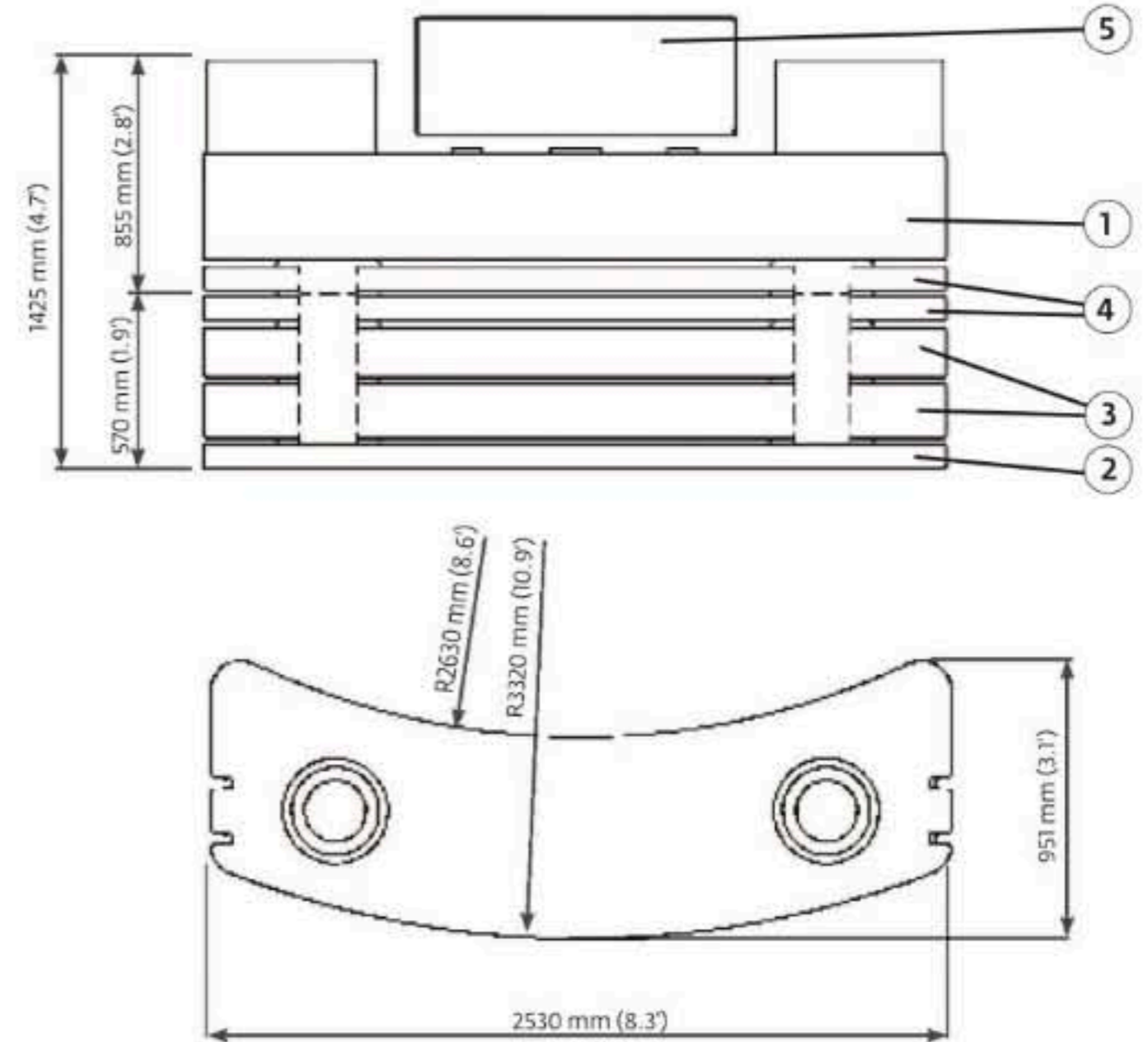


Financial tools that help you capitalize on opportunity with solutions that fit your needs.

Boom over front



Counterweight



Boom over front

Basic weights - kg/lb	Axle 1		Axles 2 and 3		Total	
Cummins power, 28.5 ft - 49.2 ft hydraulic offset swingaway including brackets and hose reel, 16.00R25 tires, 6x4x6 drive/steer, 2nd oil cooler, auxiliary boom nose, auxiliary hoist, 7500 kg (16,535 lb) counterweight fixed to the superstructure, 1000 kg (2205 lb) base plate on carrier deck, polymer outrigger pads, single-sheave 16 t (18 USt) hook block, driver and tanks filled.	12,180 kg	26,850 lb	25,380 kg	55,960 lb	37,570 kg	82,810 lb
Additions:						
6x4x6 drive/steer	379 kg	836 lb	79 kg	42 lb	398 kg	878 lb
Electric driveline retarder	-47 kg	-103 lb	186 kg	411 lb	170 kg	375 lb
Spare wheel 14.00 R25 XGC steel rim with stowage	-183 kg	-403 lb	454 kg	1000 lb	271 kg	597 lb
Spare wheel 16.00 R25 XGC steel rim with stowage	-219 kg	-482 lb	543 kg	1196 lb	324 kg	714 lb
Spare wheel 20.5 R25 XGC steel rim with stowage	-281 kg	-619 lb	648 kg	1429 lb	387 kg	853 lb
Substitutions:						
14.00R25 tires	-106 kg	-234 lb	-70 kg	-155 lb	-176 kg	-389 lb
20.5R25 tires	126 kg	278 lb	252 kg	556 lb	378 kg	833 lb
Removals:						
Brackets for hydraulic swingaway	-68 kg	-149 lb	8 kg	17 lb	-60 kg	-132 lb
Hose reel for hydraulic swingaway	-180 kg	-396 lb	-11 kg	-25 lb	-191 kg	-421 lb
8.7 m - 15 m (28.5 ft - 49.2 ft) hydraulic swingaway	3026 kg	6677 lb	79 kg	175 lb	3105 kg	6852 lb
Auxiliary boom nose	-128 kg	-283 lb	68 kg	151 lb	-60 kg	-132 lb
Outrigger floats front	-76 kg	-168 lb	36 kg	79 lb	-40 kg	-88 lb
Outrigger floats rear	33 kg	72 lb	-93 kg	-204 lb	-60 kg	-132 lb

	1*	2	3	4	5
	6,0 t (6.6 USt)	1,0 t (1.1 USt)	2,0 t (2.2 USt)	1,0 t (1.1 USt)	0,5 t (0.6 USt)**
6,5 t (7.2 USt)	X				X
7,5 t (8.3 USt)	X	X			X
8,5 t (9.4 USt)	X	X		X	X
9,5 t (10.5 USt)	X	X	X		X
10,5 t (11.6 USt)	X	X	X	X	X
11,5 t (12.7 USt)	X	X	X	2X	X
12,5 t (13.8 USt)	X	X	2X	X	X
13,5 t (14.9 USt)	X	X	2X	2X	X

*Fixed at turntable

** Two 0,5 t (0.55 USt) or one 0,5 t (0.55 USt) + auxiliary hoist

Data

Working range

Main boom



Axle	1	2	3	Total weight
t (USt)	12 t (13.2 USt)	12 t (13.2 USt)	12 t (13.2 USt)	36 t (39.7 USt)*

*with 7.5 t (16.5 USt) 8.7 m (28.5 ft) 40 t (44 USt) 58555925 case



Lifting Capacity	Sheaves	Weight	Parts of line	Possible load with crane*
63 t (69 USt)	5	600 kg (1322 lb)	2-10 t / #11	50 t (65 USt)*
40 t (44 USt)	3	360 kg (793 lb)	2-7	35 t (38 USt)
16 t (17.6 USt)	1	210 kg (463 lb)	1-3	15 t (16.5 USt)
8 t (9 USt)	over haul weight	200 kg (440 lb)	1	5 t (5.5 USt)

* Requires additional boom size chart
* Values depending on national regulations

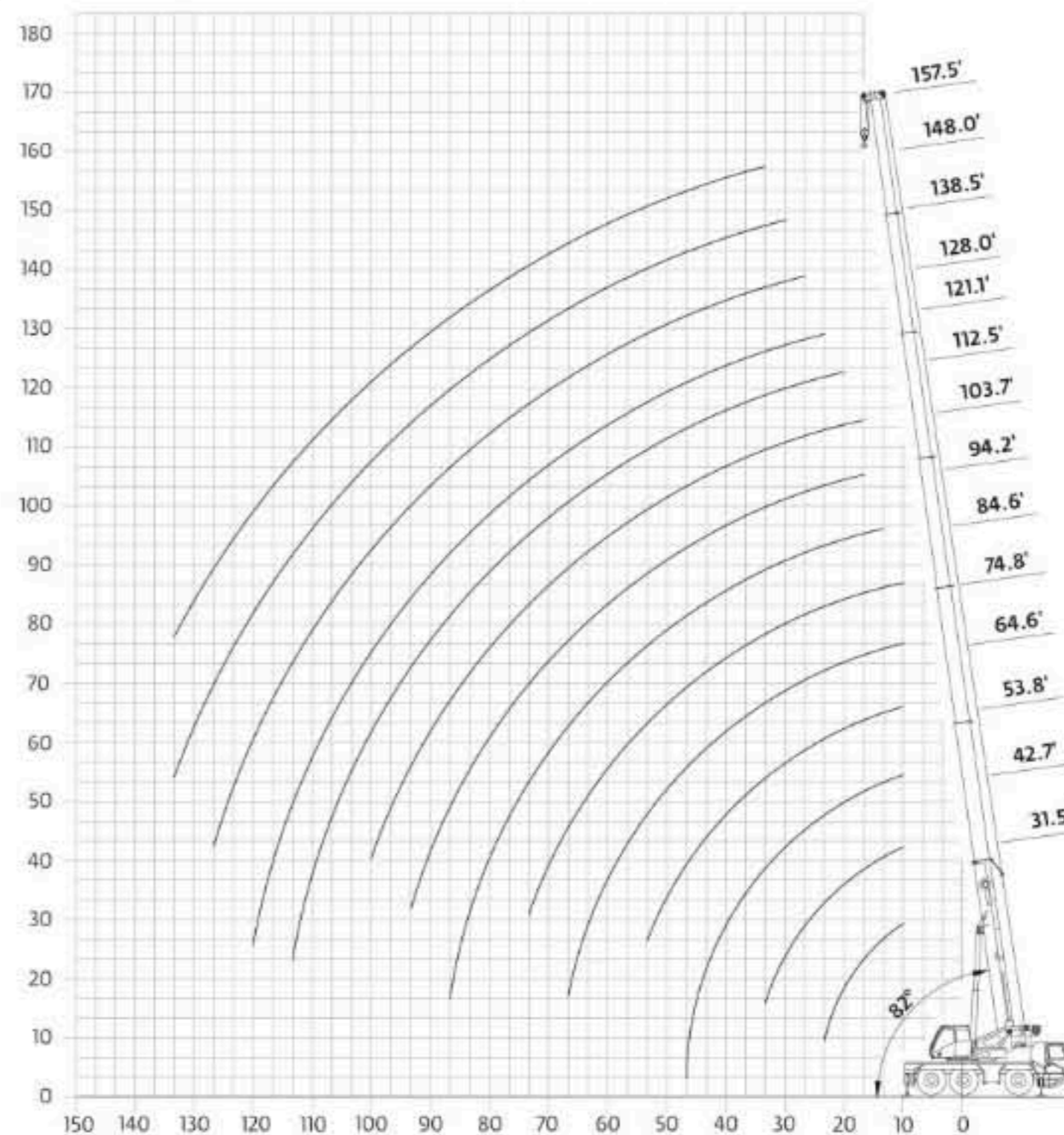


	1	2	3	4	5	6	7	8	9	10	11	12	R1	R2	
mph	3.5	4	5.2	6.7	8.5	10.9	14.4	18.5	23.8	30.5	38.8	49.7	3.4	4.3	82 %
	14.00 R25														



	Infinitely variable		Rope	Permissible line pull max.
	0 - 120 m/min (394 fpm)	single line	16 mm / 170 m (558 ft)	50 kN (11,240 lb)
	0 - 120 m/min (394 fpm)	single line	16 mm / 170 m (558 ft)	50 kN (11,240 lb)
	0 - 2,5 min ⁻¹			
	-2,7° to + 83°	< 40 s		
	9.6 m - 48 m (31.5 ft - 157.5 ft)	270 s		

9,6 m - 48 m (31.5 ft - 157.5 ft) main boom



Hook block	H
69 USt, 5-sheave quick-reeving	3300 mm (10.8 ft)
44 USt, 3-sheave quick-reeving	3200 mm (10.5 ft)
18 USt, 1-sheave quick-reeving	3100 mm (10.2 ft)
9 USt single overhaul ball	2700 mm (8.9 ft)

Tip heights shown in the working range diagram do not consider loaded boom deflection.

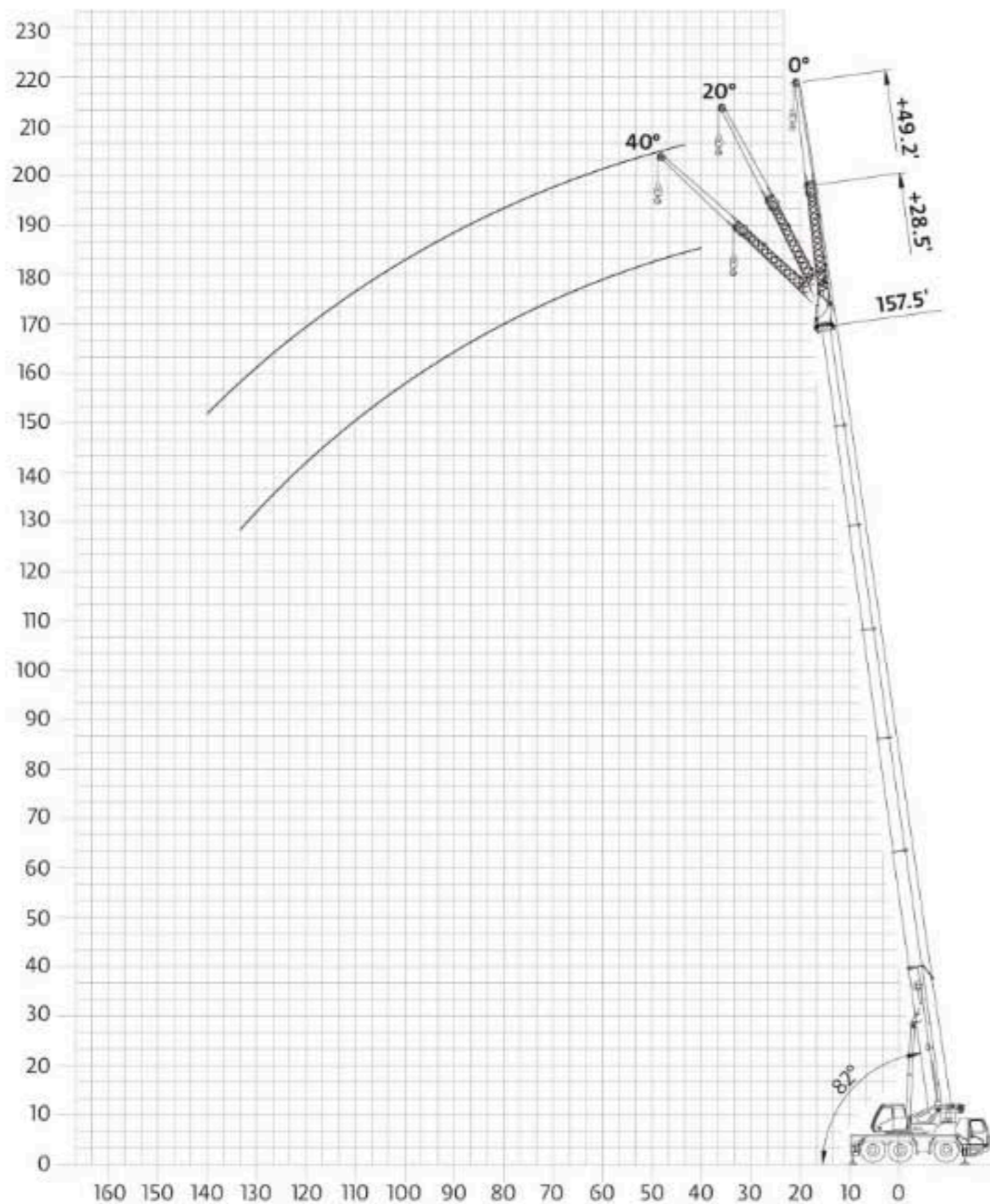
Working range

Hydraulic offsettable swingaway

Load charts

Hydraulic offsettable swingaway

9,6 m - 48,0 m (31.5 ft - 157.5 ft) main boom with 8,7 m - 15 m (28.5 ft - 49.2 ft) swingaway



Tip heights shown in the working range diagram do not consider loaded boom deflection.

9,6 m - 48,0 m (31.5 ft - 157.5 ft)
 8,7 m (28.5 ft)
 13,500 kg (29,760 lb)
 6,8 m x 6,2 m (22.4 ft x 20.4 ft) 100%
 360°



Pounds x 1000

Feet	121.1 ft 28.5 ft			138.1 ft 28.5 ft			157.5 ft 28.5 ft		
	0°	0° - 20°	20° - 40°	0°	0° - 20°	20° - 40°	0°	0° - 20°	20° - 40°
30.0	15.4								
35.0	15.2								
40.0	14.6	10.6		10.8					
45.0	13.4	10.0		10.8					
50.0	12.4	9.6	8.4	10.6			8.2		
55.0	11.4	9.0	8.2	10.2	9.4		8.2		
60.0	10.4	8.8	8.2	9.8	9.4	8.2	8.2		
65.0	9.6	8.2	8.2	9.6	9.4	8.0	8.2	7.2	
70.0	8.6	7.4	8.0	8.8	9.2	8.0	8.2	7.2	
75.0	7.6	6.4	8.0	8.2	8.6	7.8	8.0	7.2	7.0
80.0	6.8	5.6	7.8	7.6	8.0	7.6	7.6	7.1	6.8
85.0	5.8	4.8	7.8	7.0	7.6	7.2	7.0	6.4	6.2
90.0	5.2	4.2	7.6	6.6	7.0	7.0	6.6	5.7	5.8
95.0	4.4	3.6	7.4	6.0	6.6	6.6	6.2	5.3	5.6
100.0	3.8	3.2	7.0	5.6	6.0	6.0	5.8	4.9	5.2
105.0	3.4	3.0	6.2	4.8	5.8	5.8	5.6	4.0	4.8
110.0	3.2	3.0	5.4	4.6	5.0	5.4	5.0	3.3	4.6
115.0	3.0	2.6	4.6	4.2	4.6	4.8	4.4	2.6	4.0
120.0	2.8	2.4	4.0	3.8	4.2	4.2	3.8	2.2	3.6
125.0	2.4	2.2	3.6	3.2	4.0	4.0	3.2	1.8	3.0
130.0	2.2	2.2	3.2	3.0	3.4	3.6	2.8		2.6
135.0	2.0		3.0	2.4	3.0	3.2	2.4		2.2