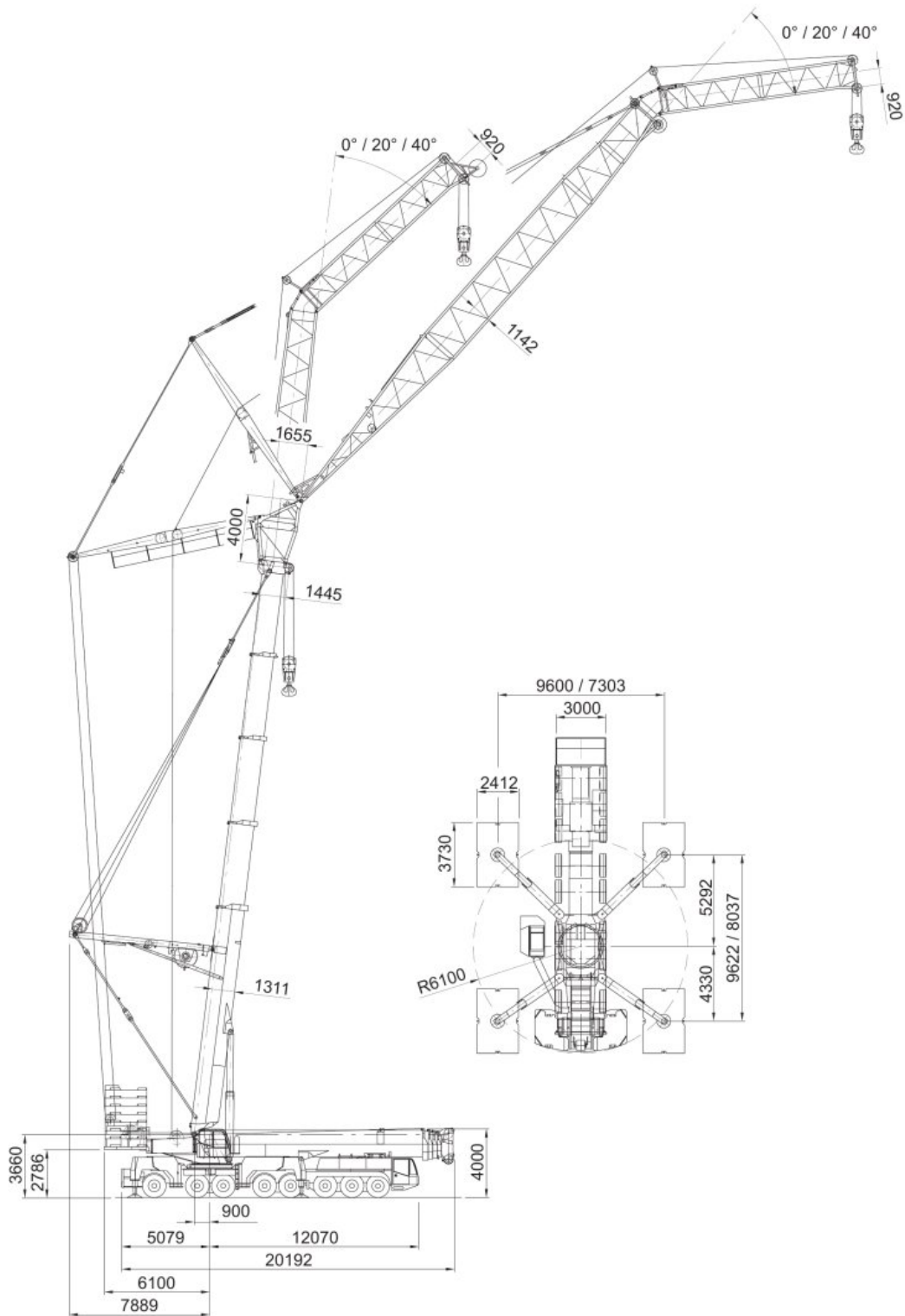




TEREX-DEMAG AC 500-2

DIMENSIONS



Dimensions are in millimeters.
 The content in this document is mentioned for reference use only. Values may differ from current data. Always contact Mammoet for current project calculations.